

## Novofence™ Privacy/ Trellis Fence Installation instructions



### When you receive Green Plank® products

Upon arrival check immediately your package for damages. And ALWAYS check the models, quality and quantity before starting to install/mount Green Plank® composite products.

Any claims of visible defects made after the assembly or modification are not acceptable. Green Plank® composite products should always be mounted by competent professionals. Green Plank® composites products should not be used for load bearing segments. To maintain warranty right, please always follow these installation instructions.

### Safety:

When dealing with any type of construction project, it is necessary to wear appropriate protective clothing to avoid any risk of injuries. Cutting, grinding or sanding should be done outdoors or in a well-ventilated area.

### Product information:

Each Green Plank® mix color composite plank has a unique natural appearance. Because of the seemingly wooden structure several differences in color can appear. Since every tree is unique in its growth

characteristics, wood as a natural product does not have an even structure. In order to give our terrace profiles their own distinctive appeal we intentionally highlighted those special properties of natural wood.

### What you need for your Novofence Private privacy fence:

1. Aluminium post finishing profile
2. Aluminium fence post
3. Composite privacy fence board
4. Aluminium bottom rail (T-trim)
5. Aluminium top rail (U-trim)
6. Metal post base plates
7. L-brackets to fix rails with posts
8. Aluminium post cap

### Building on unlevel ground:

#### SLOPED

Sloping gives you a better overall appearance, and it doesn't leave you with unsightly gap's under your fence.

#### STEPPED

If you just need privacy then stepping your fence panels may be easier for installation. Stepping can leave gaps under a portion of the panels, but this can be remedied by putting some sort of landscaping below the base of the fence.

### Storage:

Store Green Plank® composite products under cover to maintain a clean surface. If stored outdoors, they must be covered with an opaque material. All products should be stored flat and on a dry surface. Stack units with banding and bottom supports aligned.

### Acclimation:

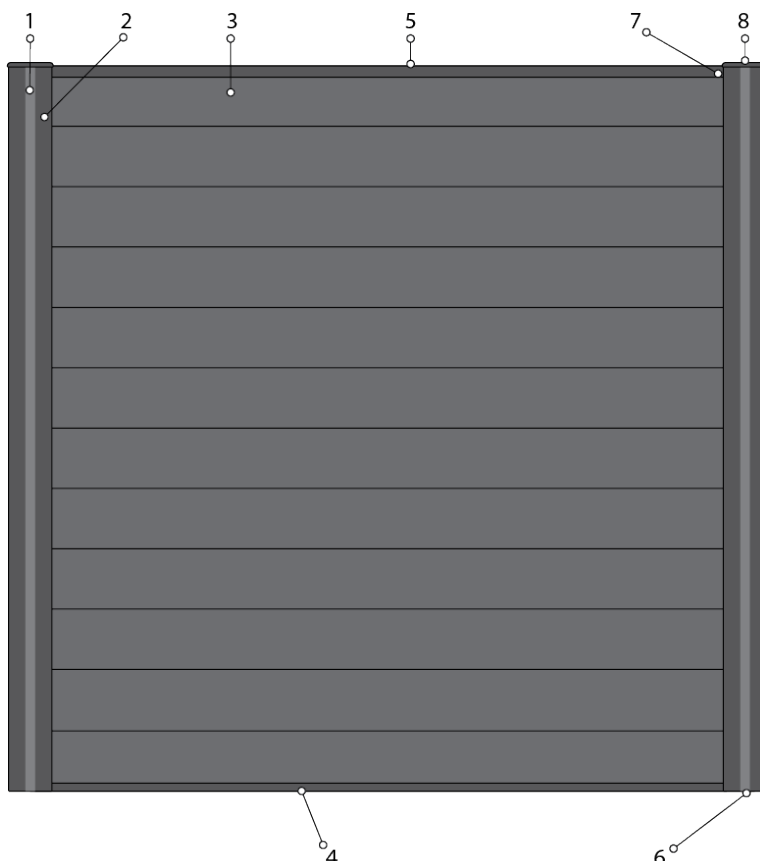
Every material expands and contracts with temperature changes, and composite planks is no exception.

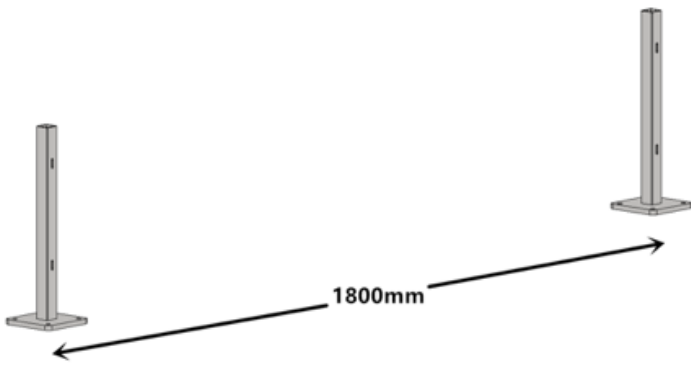
Expansion and contraction is not a product defect and not covered under the Green Plank warranty.

When installing and cutting, it is important that all boards, posts, rails, etc., must be kept as cool as possible by keeping them out of direct sunlight. Planks which have spent several hours in the sun will have expanded more than those kept in the shade, and consequently will contract more when they cool down resulting in uneven or bigger gaps. It is best to mark, cut, and install boards, rails, posts, etc., when they are all at roughly the same temperature.

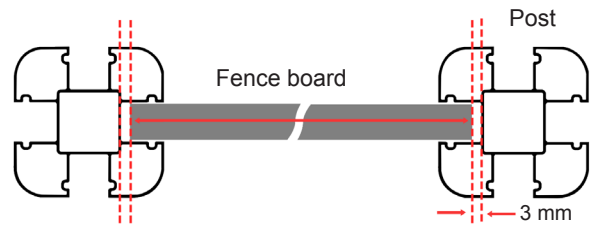
Leave 3 mm gap to allow expansion & contraction, see figure B.

At the time of installation, temperature should be at least 5°C+.

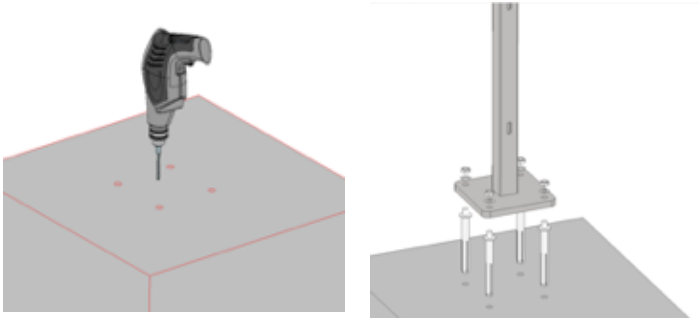




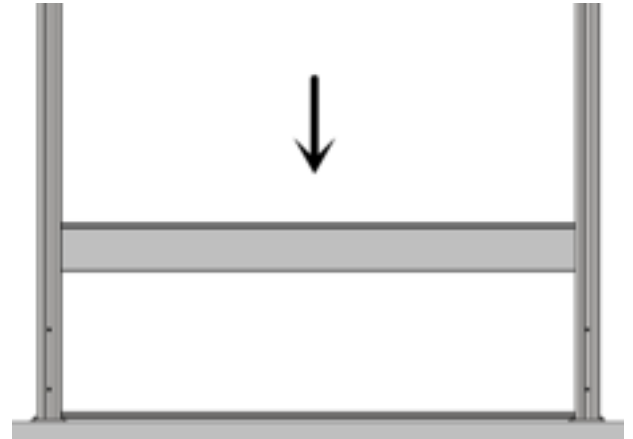
maximum distance between post base plate is 1800 mm c/c



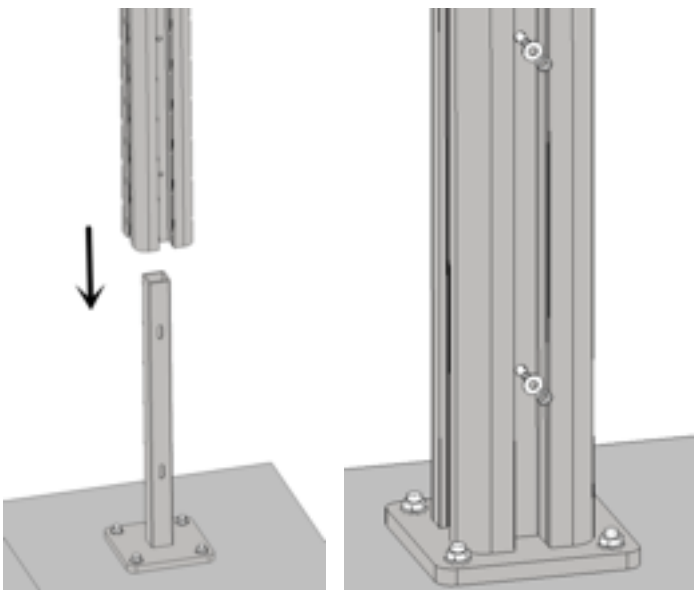
Note: Distance between posts should not exceed more than 1760 mm.



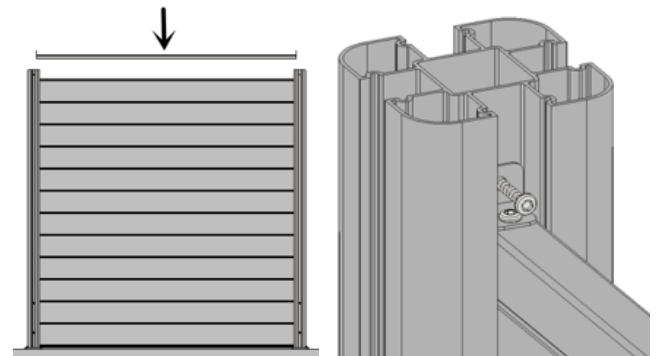
To fix the post base to the plinth, pre-drill a  $\Phi 12\text{mm}$  hole, then use the expansion bolt (M8\*70).



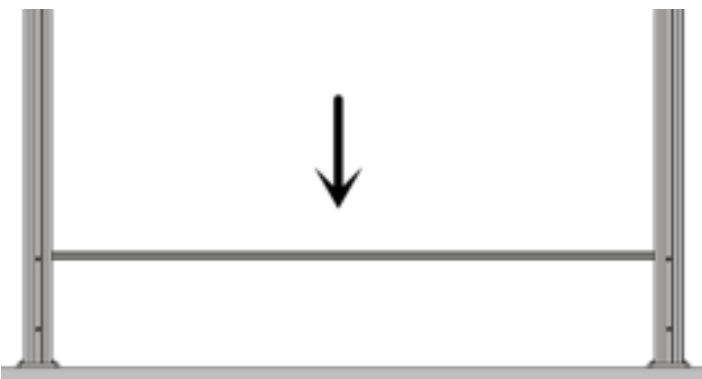
Slide in the first fence board into the groove of two posts and slide it to the bottom, the other fence boards can be installed one by one.



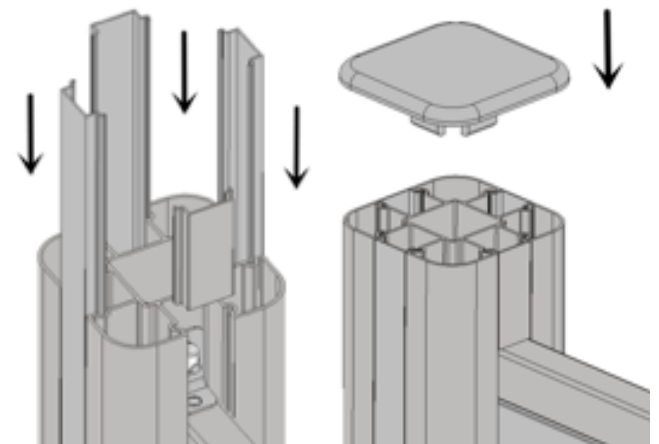
Mount the aluminium post on post base and fix with it with the bolts.



Place top rail into post and fix with self drilling screws on both sides of posts.



Insert bottom rail between posts into the post grooves.



Insert the post side/finishing profile from the top of post. A small suitable size of post finishing profile can be inserted if it's desired to cover the gap of post cap and top profile (U-trim). Now insert the post cap to the post as shown in the figure.

THE DIAGRAMS AND INSTRUCTIONS IN THIS GUIDE ARE FOR ILLUSTRATION PURPOSES ONLY AND ARE NOT MEANT TO REPLACE A LICENSED PROFESSIONAL. ANY CONSTRUCTION OR USE OF THE PRODUCT MUST BE IN ACCORDANCE WITH ALL LOCAL ZONING AND/OR BUILDING CODES. THE CONSUMER ASSUMES ALL RISKS AND LIABILITY ASSOCIATED WITH THE CONSTRUCTION OR USE OF THIS PRODUCT. THE CONSUMER OR CONTRACTOR SHOULD TAKE ALL NECESSARY STEPS TO ENSURE THE SAFETY OF EVERYONE INVOLVED IN THE PROJECT, INCLUDING, BUT NOT LIMITED TO, WEARING THE APPROPRIATE SAFETY EQUIPMENT. EXCEPT AS CONTAINED IN THE WRITTEN LIMITED WARRANTY, THE WARRANTOR DOES NOT PROVIDE ANY OTHER WARRANTY, EITHER EXPRESS OR IMPLIED, AND SHALL NOT BE LIABLE FOR ANY DAMAGES, INCLUDING CONSEQUENTIAL DAMAGES.