

PRIMACAP™ Facade Cladding Installation instructions



When you receive Green Plank® products

Upon arrival check immediately your package for damages. And ALWAYS check the models, quality and quantity before starting to install/mount Green Plank® composite products.

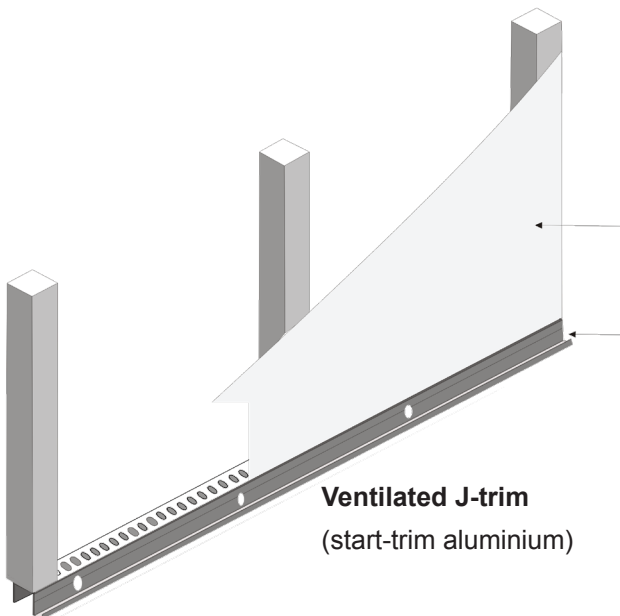
Any claims of visible defects made after the assembly or modification are not acceptable. Green Plank® composite products should always be mounted by competent professionals. Green Plank® composites products should not be used for load bearing segments. To maintain warranty right, please always follow these installation instructions.

Safety:

When dealing with any type of construction project, it is necessary to wear appropriate protective clothing to avoid any risk of injuries. Cutting, grinding or sanding should be done outdoors or in a well-ventilated area.

What you need for your PrimaCap™ ventilated Facade Cladding:

1. PrimaCap™ facade panel
2. Aluminium ventilated J-trim
3. Aluminium J-trim
4. Expansion Trim
5. Corner Trim
6. Screws



The ventilated air cavity enhances thermoregulation and helps make buildings more energy efficient. It may reduce air conditioning and heating consumption up to 30%, and can help you save electricity and money at the coldest and hottest times of the year.

Storage:

Store Green Plank® composite products under cover to maintain a clean surface. If stored outdoors, they must be covered with an opaque material. All products should be stored flat and on a dry surface. Stack units with banding and bottom supports aligned.

Acclimation:

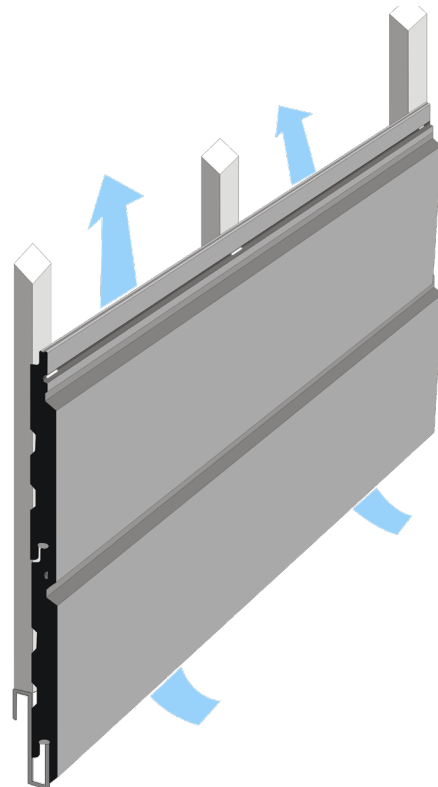
Every material expands and contracts with temperature changes, and composite planks is no exception.

Expansion and contraction is not a product defect and not covered under the Green Plank warranty.

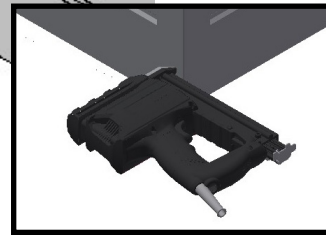
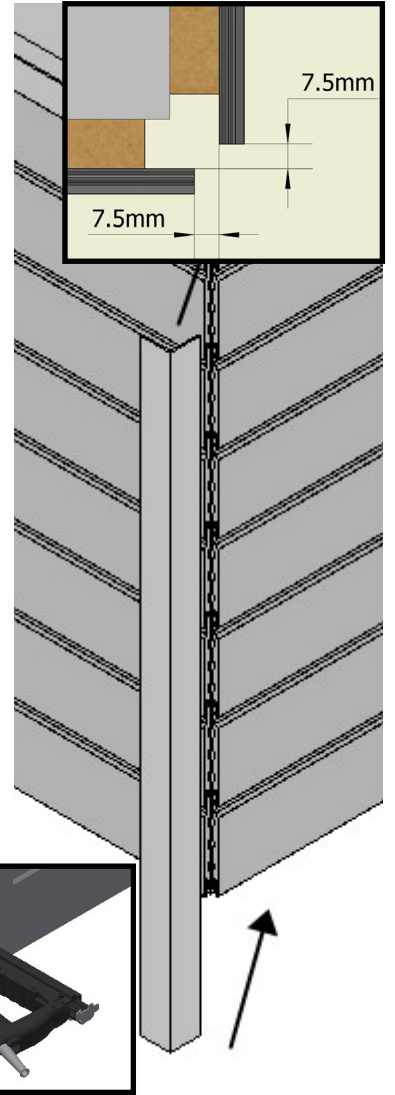
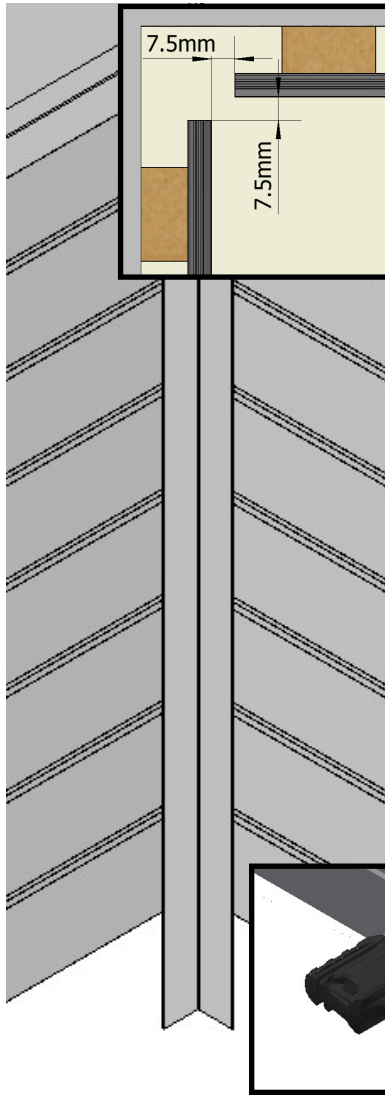
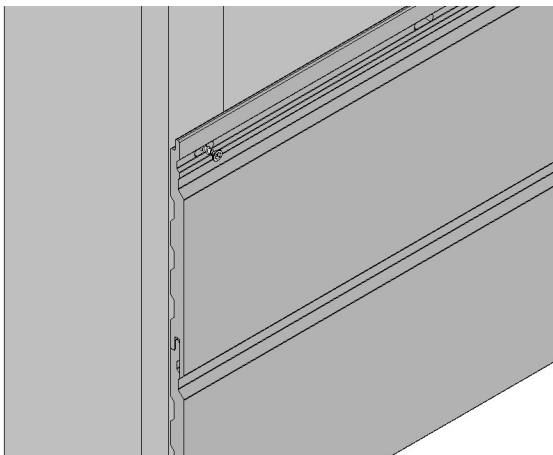
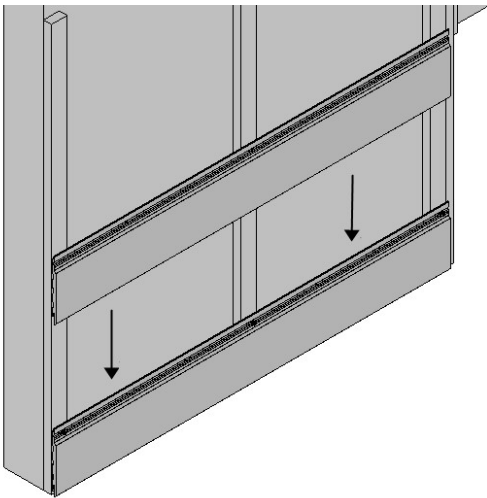
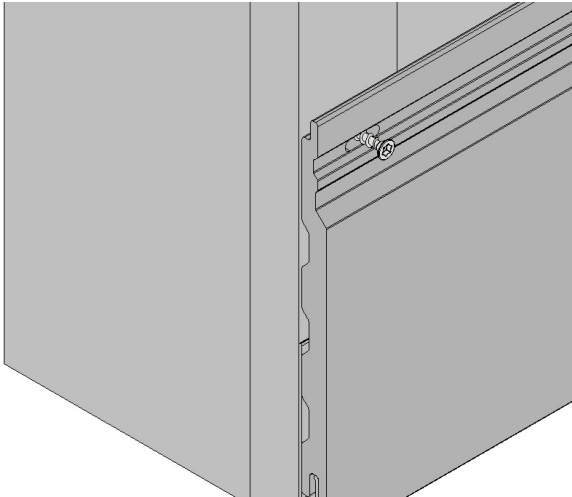
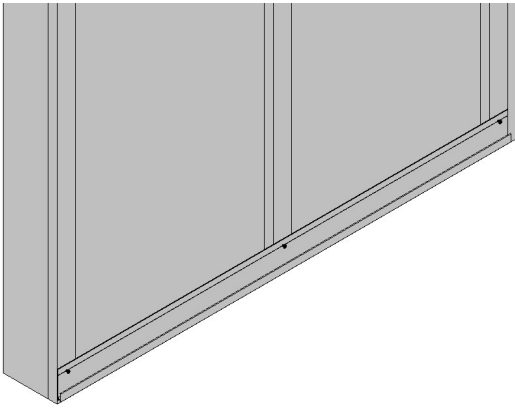
When installing and cutting, it is important that all panels, trims, etc., must be kept as cool as possible by keeping them out of direct sunlight. Products which have spent several hours in the sun will have expanded more than those kept in the shade, and consequently will contract more when they cool down resulting in uneven or bigger gaps. It is best to mark, cut, and install panels and trims, etc., when they are all at roughly the same temperature.

Head-to-head distance between facade panel must be at least 2 mm per meter (i.e. for a 2.9 meter long panel, we recommend 6 mm head-to-head gap to allow expansion / contraction).

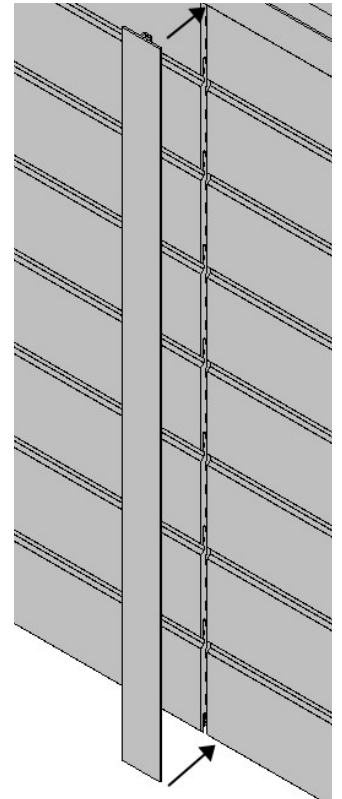
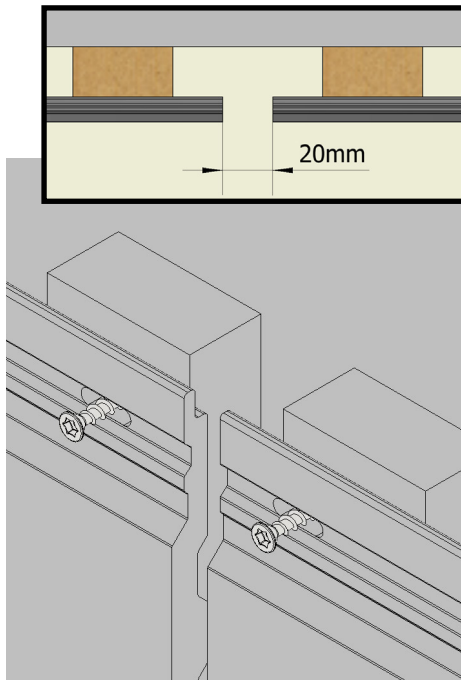
At the time of installation, temperature should be at least 5°C+.



Green Plank PRIMACAP façade systems provide lasting protection to the building as a back-ventilated curtain façade.



Use a finishing nail gun to fix the trims to the facade panels.



THE DIAGRAMS AND INSTRUCTIONS IN THIS GUIDE ARE FOR ILLUSTRATION PURPOSES ONLY AND ARE NOT MEANT TO REPLACE A LICENSED PROFESSIONAL. ANY CONSTRUCTION OR USE OF THE PRODUCT MUST BE IN ACCORDANCE WITH ALL LOCAL ZONING AND/OR BUILDING CODES. THE CONSUMER ASSUMES ALL RISKS AND LIABILITY ASSOCIATED WITH THE CONSTRUCTION OR USE OF THIS PRODUCT. THE CONSUMER OR CONTRACTOR SHOULD TAKE ALL NECESSARY STEPS TO ENSURE THE SAFETY OF EVERYONE INVOLVED IN THE PROJECT, INCLUDING, BUT NOT LIMITED TO, WEARING THE APPROPRIATE SAFETY EQUIPMENT. EXCEPT AS CONTAINED IN THE WRITTEN LIMITED WARRANTY, THE WARRANTOR DOES NOT PROVIDE ANY OTHER WARRANTY, EITHER EXPRESS OR IMPLIED, AND SHALL NOT BE LIABLE FOR ANY DAMAGES, INCLUDING CONSEQUENTIAL DAMAGES.